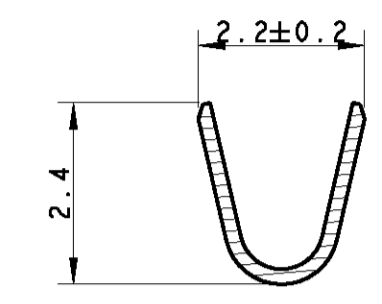
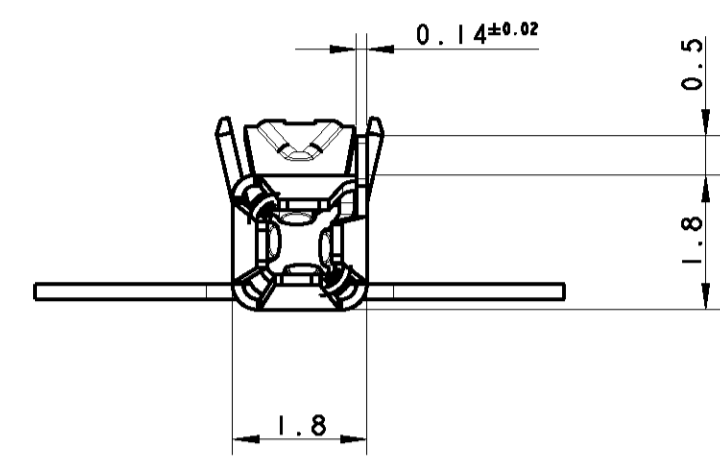
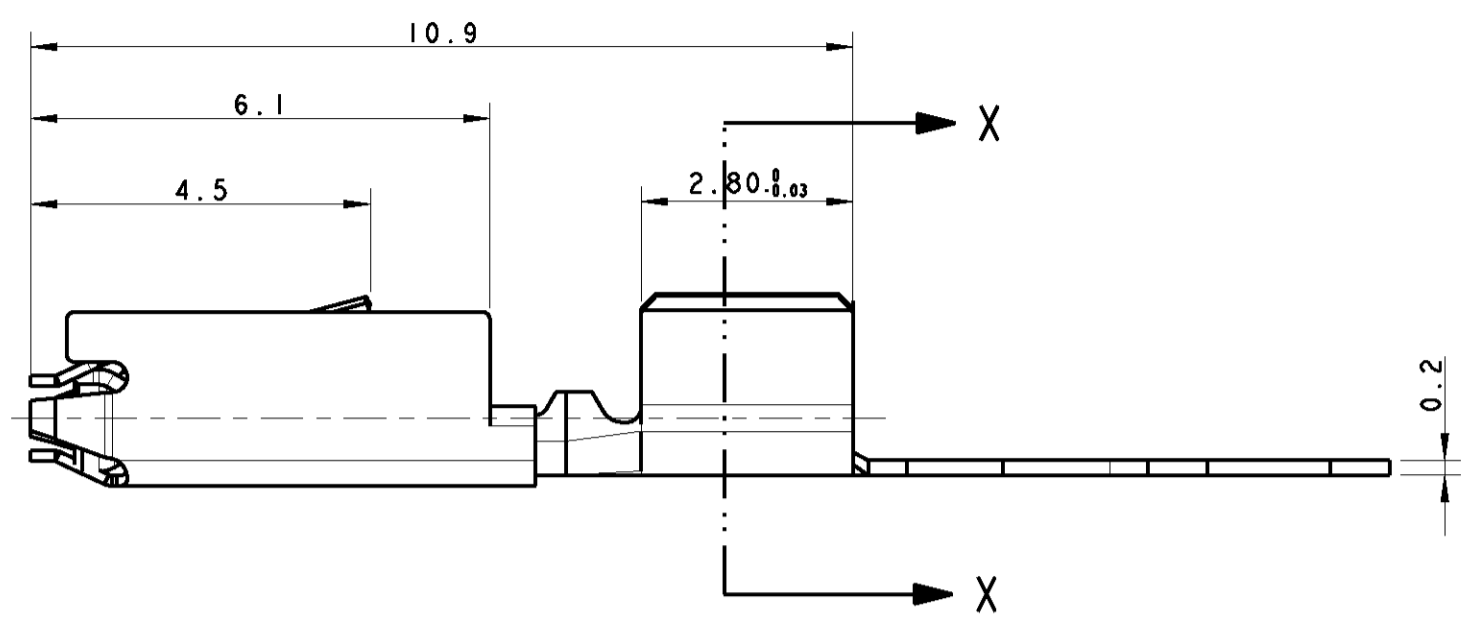
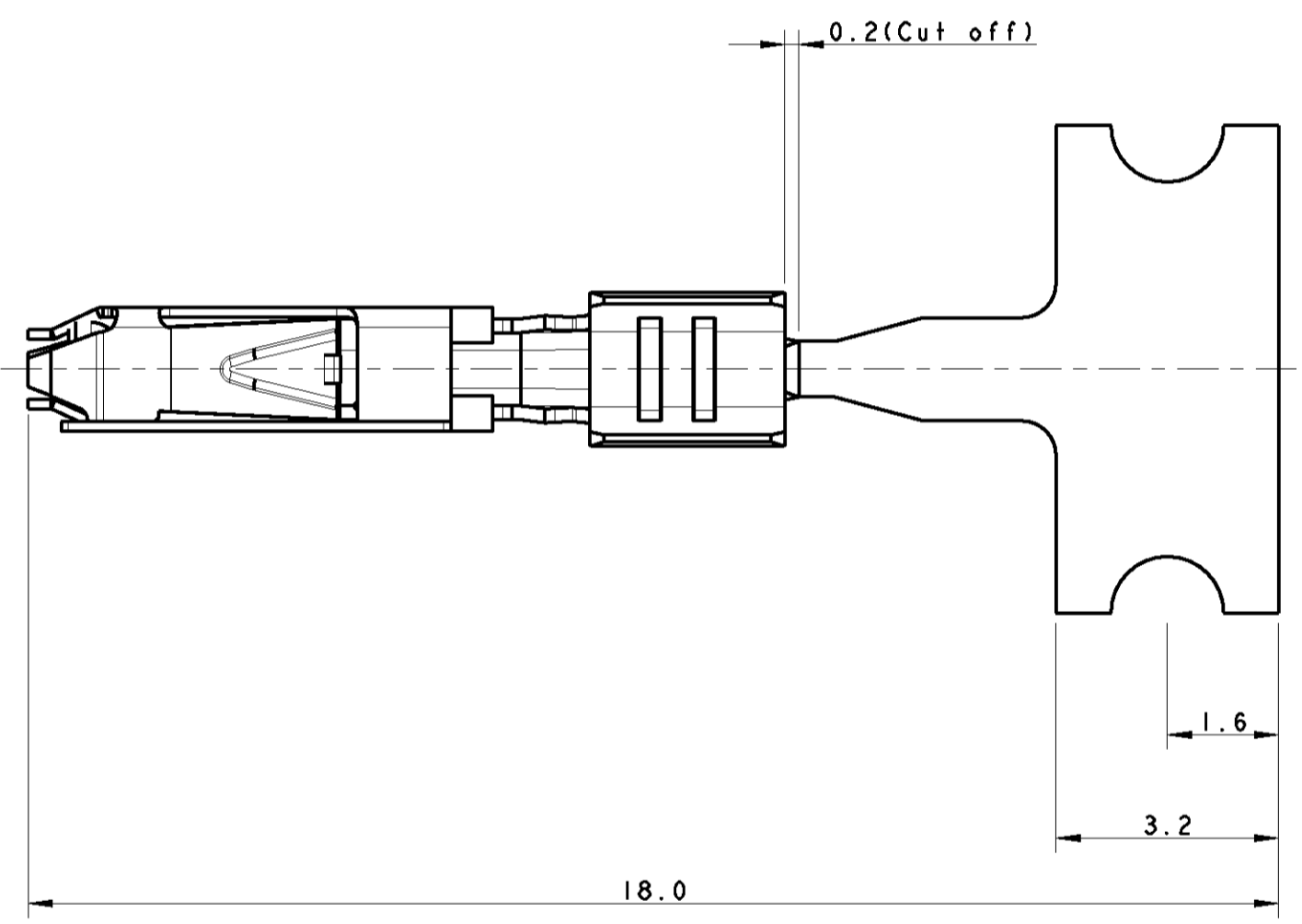


THIS DRAWING IS UNPUBLISHED. RELEASED FOR PUBLICATION 2009
 © COPYRIGHT 2009 BY TYCO ELECTRONICS CORPORATION. ALL INTERNATIONAL RIGHTS RESERVED.

LOC	DIST	REVISIONS			
P	LTR	DESCRIPTION	DATE	DWN	APVD
A		FIRST ISSUE	12FEB2009	AV	GT
C		UPDATED PART REVISION	24FEB2011	AV	GT

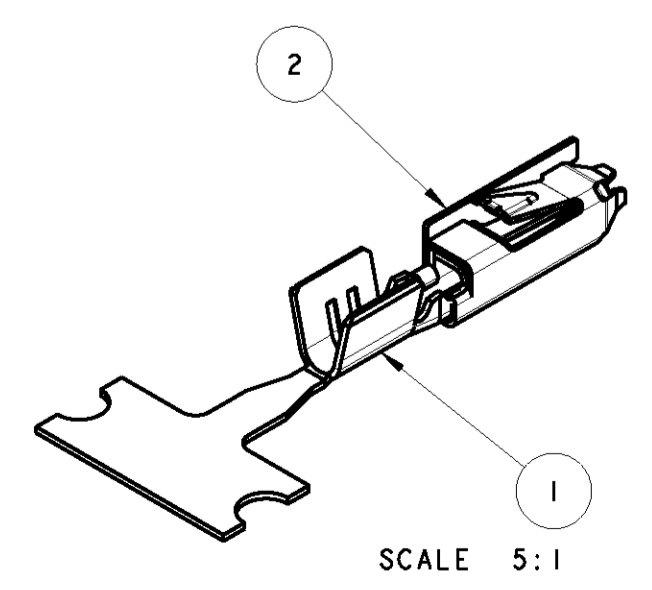


SECTION X - X



NOTES:

- SUITABLE FOR SOCKET CONTACT 293389
- CONTACT ACCEPTS WIRE SIZE 18 AWG
- SEMI-AUTOMATIC TOOL AND HAND TOOL (EACH FOR 2 CRIMPS IN ONE CYCLE) TO BE DEVELOPED
- STRIPPED CABLE LENGTH FOR CRIMP IS 3.5mm
- WEIGHT ABOUT 0.12g
- DIE FEED 7.0mm
- REELED ON PAPER-REEL



SCALE 5:1

8	NOT AVAILABLE	293390-1	C	2	SPRING	A	STEEL	
				1	BODY	B	CuNiSi AMP-Spec. 100-1230 or 112-18011	TIN PLATED
DIRECTION OFF TOP OF REEL	LOOSE PIECE	PART NO	REV	POS	DESCRIPTION	REV	MATERIAL	FINISH
<small>THIS DRAWING IS A CONTROLLED DOCUMENT FOR TYCO ELECTRONICS CORPORATION. IT IS SUBJECT TO CHANGE AND THE CONTROLLING ENGINEERING ORGANIZATION SHOULD BE CONTACTED FOR THE LATEST REVISION.</small>								
DIMENSIONS: mm		TOLERANCES UNLESS OTHERWISE SPECIFIED:		DWN: A. Vecchia 12FEB2009		Tyco Electronics Tyco Electronics AMP Italia S.r.l. 10093 Collegno TO		
MATERIAL: SEE TABLE		FINISH:		CHK: G. Turco 12FEB2009		NAME: MICRO QUADLOK SYSTEM SOCKET CONTACT		
DIRECTION OFF TOP OF REEL: 8		107-3(Fig.1)		APVD: G. Turco 12FEB2009		SIZE: A200779 CAGE CODE: C-293390		
				PRODUCT SPEC: 108-20294		DRAWING NO: 114-20140		
				APPLICATION SPEC: 114-20140		RESTRICTED TO: -		
				WEIGHT: 0.12g		SCALE: 10:1 SHEET 1 OF 1 REV C		
				CUSTOMER DRAWING				